

# DSN

## Switch disconnectors



### Applications



### Features

- ▶ The DSN switch disconnector allows breaking of equipment loads up to 690 VAC
- ▶ High electrical and mechanical endurance
- ▶ Double break contacts
- ▶ It's used for the following purposes:
  - main switch
  - switch for motors
  - safety switch
  - disconnector

Technical data	Symbol	Unit	DSN-16 – DSN-40	DSN-63 – DSN-125
Standards			IEC/EN 60947-3	
Rated current	$I_n$	A	16, 25, 40	63, 80, 100, 125
Rated thermal current at 40 °C	$I_{th}$	A	16, 25, 40	63, 80, 100, 125
Cable termination		mm <sup>2</sup>	10	25 - 50
Rated insulation voltage	$U_i$	V	800	
Rated frequency	f	Hz	50 / 60	
Number of poles			3	
Utilization category			AC21A, AC22A, AC23A	
Protection degree			IP20	
Screw			M5	M6
Screw head			Pozidriv	
Tightening torque		Nm	2	2.5
Mounting			35 mm DIN rail mounting, screw mounting	
Protection degree			IP20	

**DSN – Characteristics**

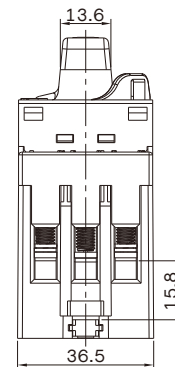
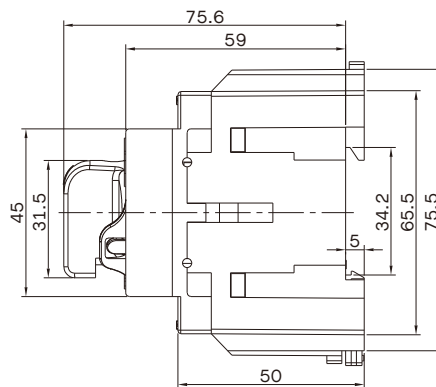
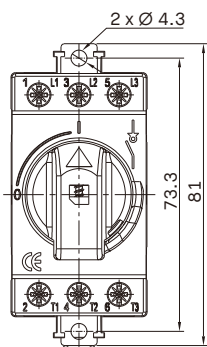
Type	Rated Current $I_n$ (A)	Rated Thermal Current at 40 °C $I_n$ (A)	Number of Poles	Ordering No.	Quantity / box	Quantity / ctn
DSN-16	16	16	3	030.109.903	6	60
DSN-25	25	25	3	030.109.905	6	60
DSN-40	40	40	3	030.109.906	6	60
DSN-63	63	63	3	030.109.910	4	40
DSN-80	80	80	3	030.109.907	4	40
DSN-100	100	100	3	030.109.908	4	40
DSN-125	125	125	3	030.109.909	4	40



**Dimensions**

(mm)

**DSN-16 – DSN-40**



**DSN-63 – DSN-125**

