

PO, NO Metal Distribution boards

Application of use

Metal distribution cabinets are used in residential buildings as well as in industry. Due to their size, they are particularly suitable for more advanced or demanding installations where it is necessary to install more control and protection elements than in classic installations. Due to the metal housing, they are resistant to mechanical and external influences, are compact and have a longer service life.

Installation method

Flush or surface installation.

Cabinet description

Material: 1 mm thick steel, with a protective coating of RAL 9003.

The cabinet doors are adapted for right- or left-side opening and are grounded (Pe).
Modular covers are individually removable.

Electrical parameters:

- ▶ Rated DC current: ≤ 100 A
- ▶ Nominal voltage: $U_n = 400$ V
- ▶ Nominal insulation voltage: $U_i = 500$ V
- ▶ Protection class: I
- ▶ Degree of protection: IP30

Accessories

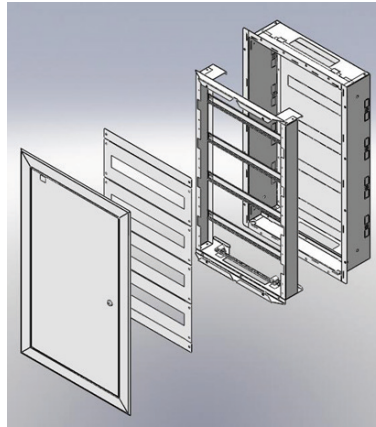
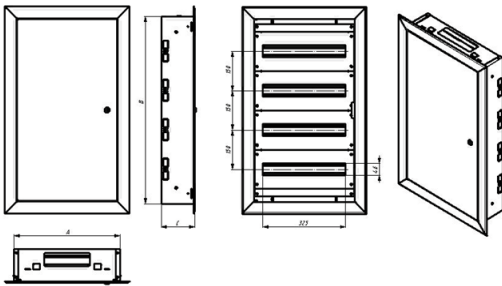
All cabinets are already equipped with:

- ▶ N and Pe terminals for connecting neutral and earth conductors
- ▶ DIN rails for mounting control/protection elements
- ▶ Accessories for mounting the cabinet in/on the wall



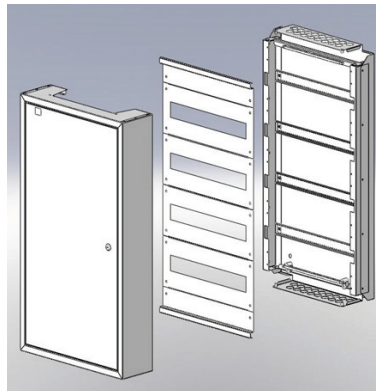
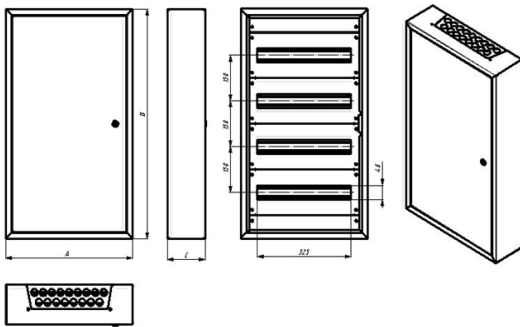
Metal flush distribution boards PO-K 18

Type	No. of modules	No. of rows	Height mm	Width mm	Depth mm	Ordering No.	Weight (kg)
PO-K 18/36(2×18)	36	2	435	415	130	786.200.437	7
PO-K 18/54(3×18)	54	3	585	415	130	786.200.411	9
PO-K 18/72(4×18)	72	4	735	415	130	786.200.438	11
PO-K 18/90(5×18)	90	5	885	415	130	786.200.439	13
PO-K 18/108(6×18)	108	6	1035	415	130	786.200.440	16
PO-K 18/126(7×18)	126	7	1185	415	130	786.200.441	17
PO-K 18/144(8×18)	144	8	1335	415	130	786.200.442	19



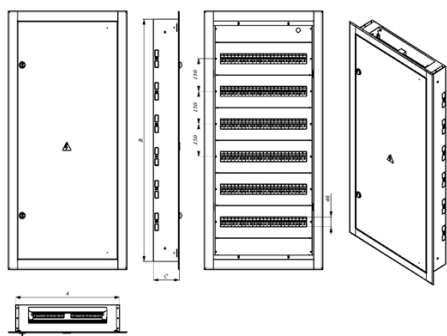
Metal surface distribution boards NO-K 18

Type	No. of modules	No. of rows	Height mm	Width mm	Depth mm	Ordering No.	Weight (kg)
NO-K 18/36(2×18)	36	2	455	440	130	786.200.443	8
NO-K 18/54(3×18)	54	3	605	440	130	786.200.412	9
NO-K 18/72(4×18)	72	4	755	440	130	786.200.444	12
NO-K 18/90(5×18)	90	5	905	440	130	786.200.445	13
NO-K 18/108(6×18)	108	6	1055	440	130	786.200.446	14
NO-K 18/126(7×18)	126	7	1205	440	130	786.200.447	17
NO-K 18/144(8×18)	144	8	1355	440	130	786.200.448	19



Metal flush distribution boards PO-K 24

Type	No. of modules	No. of rows	Height mm	Width mm	Depth mm	Ordering No.	Weight (kg)
PO-K 24/96(4×24)	96	4	815	523	130	786.200.413	13
PO-K 24/120(5×24)	120	5	965	523	130	786.200.449	15
PO-K 24/144(6×24)	144	6	1115	523	130	786.200.450	17



Metal surface distribution boards NO-K 24

Type	No. of modules	No. of rows	Height mm	Width mm	Depth mm	Ordering No.	Weight (kg)
NO-K 24/96(4×24)	96	4	836	544	130	786.200.451	13
NO-K 24/120(5×24)	120	5	986	544	130	786.200.462	15
NO-K 24/144(6×24)	144	6	1136	544	130	786.200.463	17

